

4

3

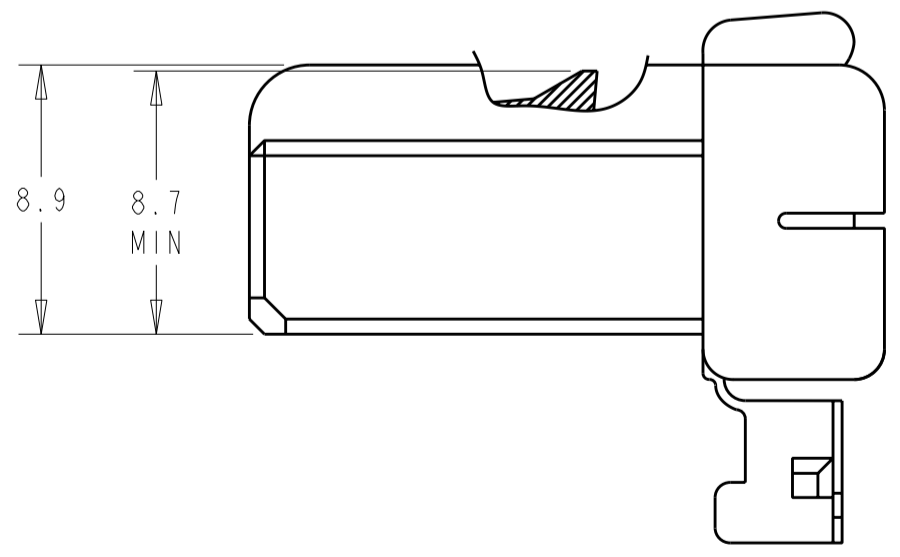
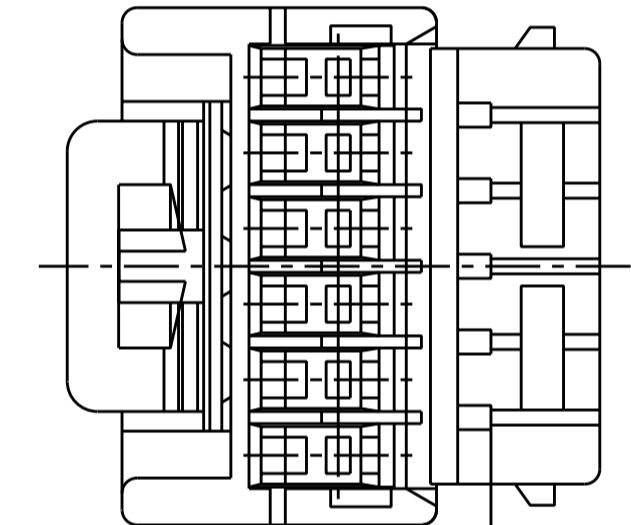
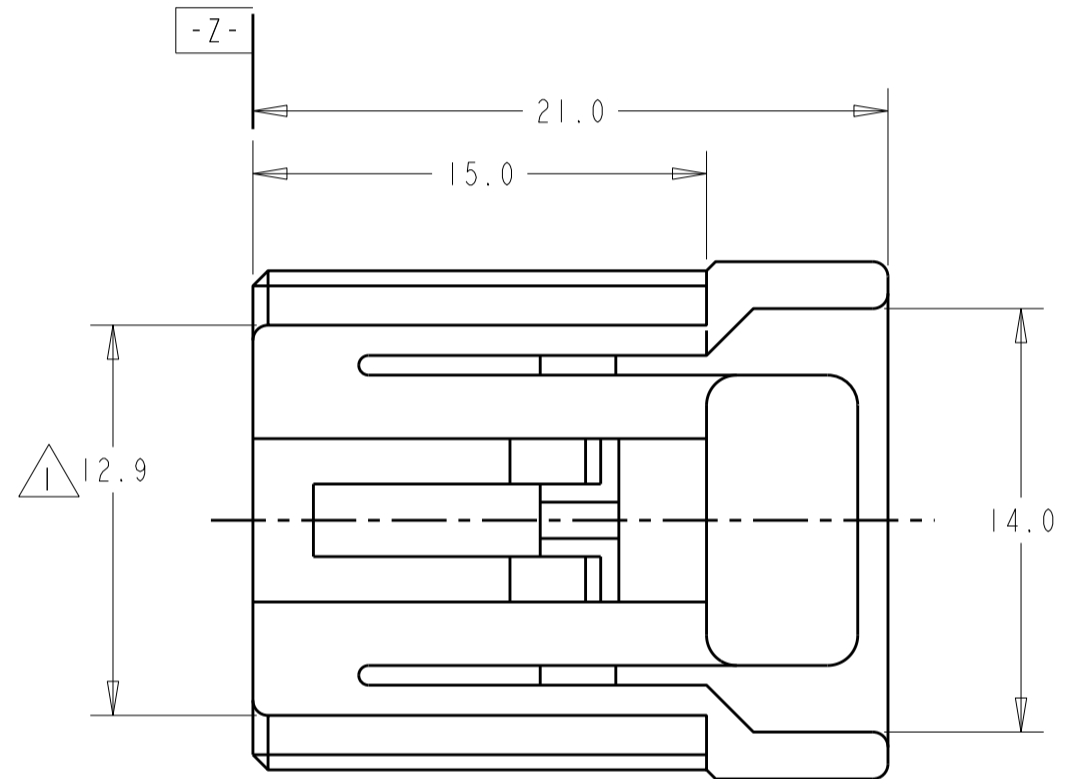
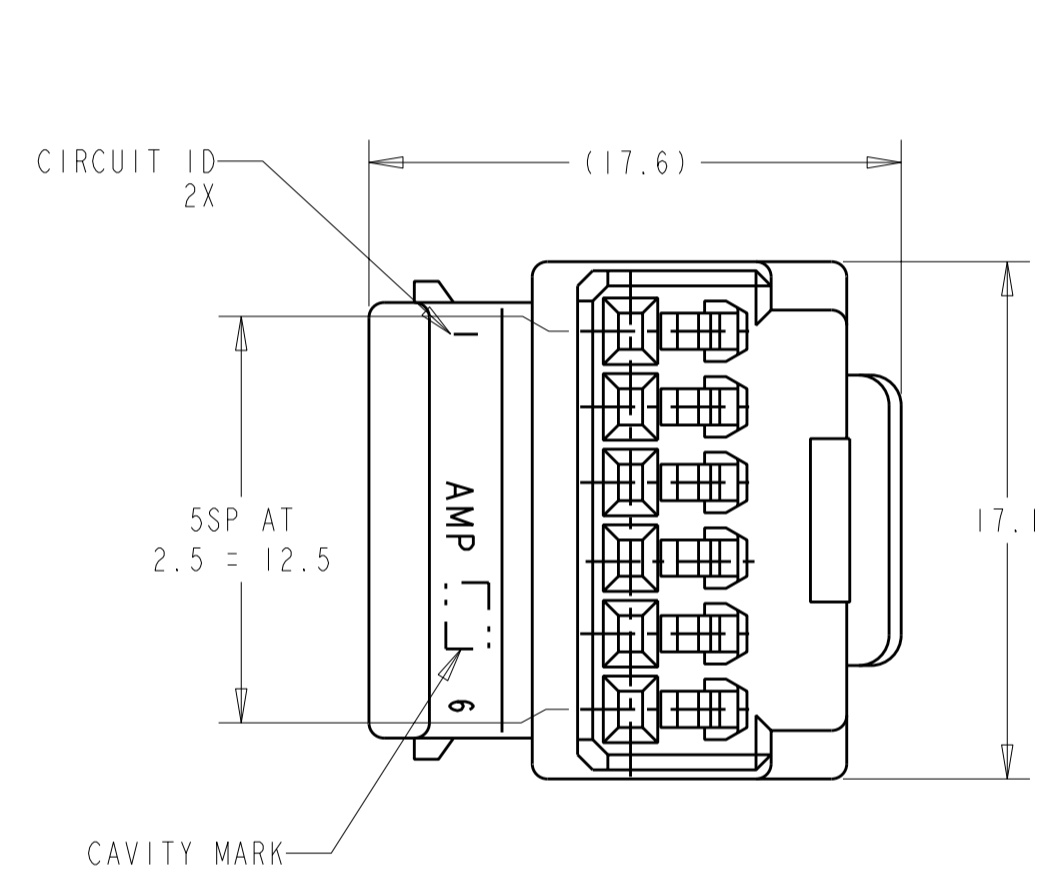
2

1

THIS DRAWING IS UNPUBLISHED. RELEASED FOR PUBLICATION 20  
 © COPYRIGHT 20 BY TYCO ELECTRONICS CORPORATION. ALL RIGHTS RESERVED.

| LOC | DIST | REVISIONS   |                           |           |       |
|-----|------|-------------|---------------------------|-----------|-------|
| P   | LTR  | DESCRIPTION | DATE                      | DWN       | APVD  |
| FX  | 00   | E           | REVISED PER ECO-09-023572 | 23OCT2009 | DD SA |
|     |      |             |                           |           |       |
|     |      |             |                           |           |       |

- 1. MUST BE HELD BETWEEN -Z- AND 2mm FROM -Z-
- 2. THE MATING CAP ASSEMBLY PART NUMBER IS 638102.
- 3. APPLIED RECEPTACLE CONTACT IS 173681.



|         |             |
|---------|-------------|
| NATURAL | 638100-1    |
| COLOR   | PART NUMBER |

|   |  |   |   |
|---|--|---|---|
| THIS DRAWING IS A CONTROLLED DOCUMENT FOR TYCO ELECTRONICS CORPORATION. IT IS SUBJECT TO CHANGE AND THE CONTROLLING ENGINEERING ORGANIZATION SHOULD BE CONTACTED FOR THE LATEST REVISION. |  | DWN P. COLLINS 04 JUN 97  | Tyco Electronics<br>Harrisburg, PA 17105-3608 |
| DIMENSIONS: mm  |  | CHK D. STILLIE 04 JUN 97  |   |
| TOLERANCES UNLESS OTHERWISE SPECIFIED:  |  | APVD S. KROEGER 04 JUN 97   |   |
| 0 PLC ±0.25<br>1 PLC ±0.15<br>2 PLC ±0.10<br>3 PLC ±<br>4 PLC ±<br>ANGLES ±°<br>FINISH -  |  | PRODUCT SPEC -<br>APPLICATION SPEC -<br>WEIGHT -  |   |
| MATERIAL -  |  | NAME PLUG HOUSING, 6 POSITION, .040 SERIES, MULTI-LOCK I/O CONNECTOR<br>SIZE A2 CAGE CODE 00779 DRAWING NO. C-638100 RESTRICTED TO -<br>CUSTOMER DRAWING SCALE 4:1 SHEET 1 OF 1 REV E |   |

638100